

INDUSTRIAL DIESEL ENGINE

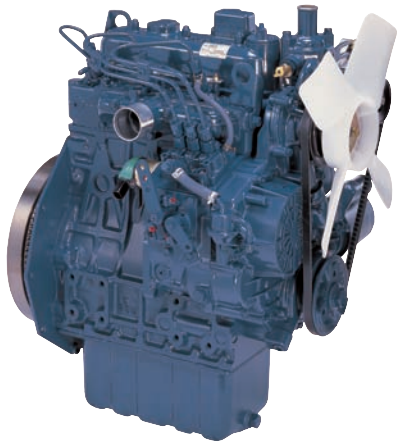
KUBOTA 05 SERIES (3-cylinder)

D1005-E3B



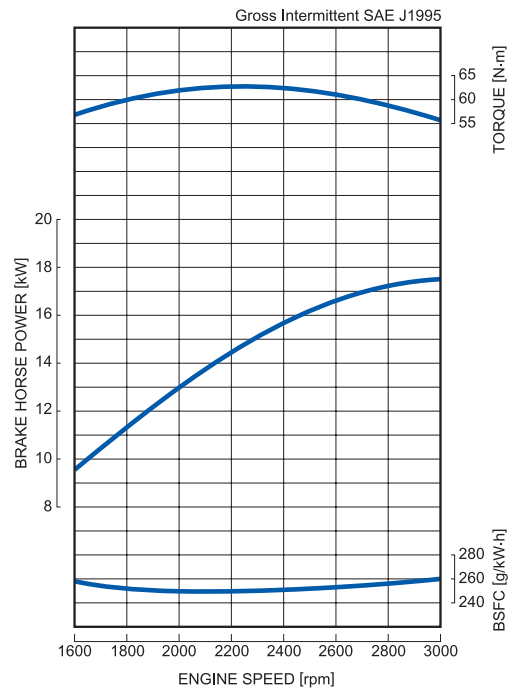
RATED POWER

17.5kW@3000rpm



Photographs may show non-standard equipment.

PERFORMANCE CURVE



FEATURES with BENEFITS

Emissions

- The D1005 engine complies with EPA Tier 4 emissions regulations. These are the most stringent emissions regulations in the world in this class.

Durable Power

- The Kubota 05 Series is an established leader in its horsepower range and has been the preferred power source of various industrial equipment manufacturers.
- The D1005 engine offers a seamless transition from Tier 2 to Tier 4 by maintaining the same footprint and hardware mounting points with only slight performance changes from the Tier 2 engine.

Clean and Quiet Power

- Kubota's original E-TVCS (Three Vortex Combustion System) has been improved. The combustion chamber and piston recess were optimized to achieve a 50% lower particulate matter (PM) level.

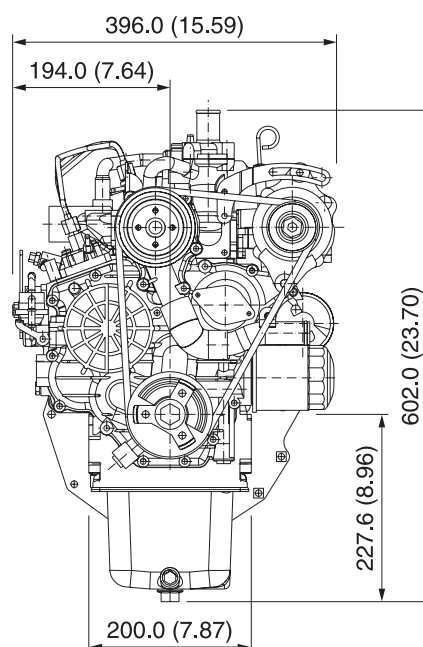
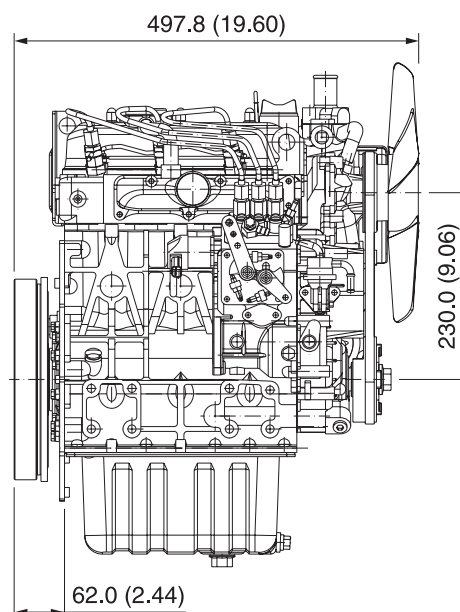
GENERAL SPECIFICATION

Model		D1005-E3B
Emission Regulation		Tier 4
Type		Vertical 4-cycle Liquid Cooled Diesel
Number of Cylinders		3
Bore	mm (in)	76 (2.99)
Stroke	mm (in)	73.6 (2.90)
Displacement	L (cu.in)	1.001 (61.08)
Combustion System		IDI
Intake System		Naturally Aspirated
Naturally Aspirated	rpm	3000
Output: Gross Intermittent	kW	17.5
	hp	23.5
	ps	23.8
Direction of Rotation		Counterclockwise Viewed on Flywheel
Oil Pan Capacity	L (gal)	5.1 (1.35)
Starter Capacity	V-kW	12-1.2 [US] / 12-1.4 [EU]
Alternator Capacity	V-A	12-40
Length	mm (in)	497.8 (19.60)
Width	mm (in)	396.0 (15.59)
Height (1)	mm (in)	602.0 (23.70)
Height (2)	mm (in)	227.6 (8.96)
Dry Weight	Kg (lb)	93.0 (205.0)

*Specification is subject to change without notice.

*Dry weight is according to Kubota's standard specification.
When specification varies, the weight will vary accordingly.

DIMENSIONS



KUBOTA EUROPE S.A.S.

19-25 rue Jules Verceyusse BP 50088

Z.I., 95101 ARGENTEUIL Cedex - FRANCE

Tél. : (33)1 34 26 34 34 - Fax : (33)1 34 26 34 66

Your Driving Force
KUBOTA ENGINE

<http://www.kubota.fr>